

X-PLOCK LINK SAVER

PARALINK X-PLOCK

ACERBIS

COD. 500007785

ACERBIS PARTS



A - (1 pcs)



B - (1 pcs.)



C - (1 pcs.)



D - (1 pcs.)



E - (1 pcs.)

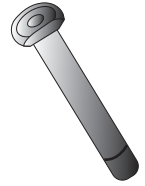
O.E.M. PARTS



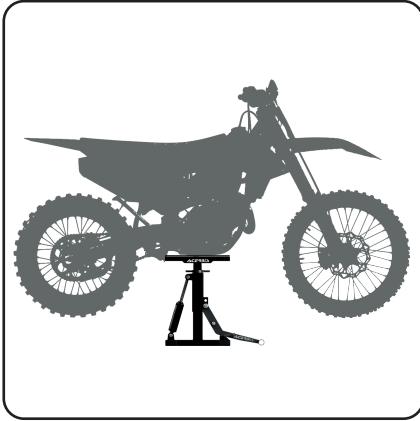
F - (1 pcs.)



G - (1 pcs.)

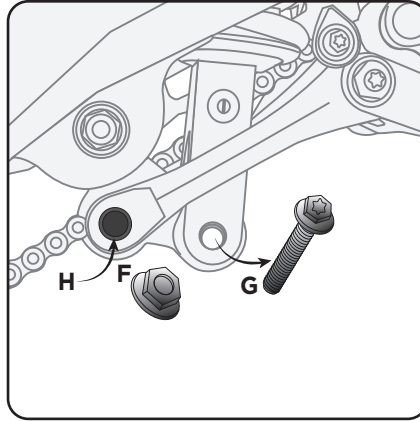


H - (1 pcs.)



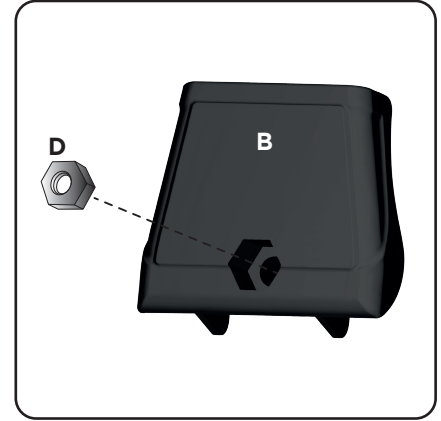
1 - Place the bike on the bike stand so that the rear wheel is lifted from the ground.

1 - Posizionare la moto sul cavalletto alzamoto in modo che la ruota posteriore sia sollevata da terra.



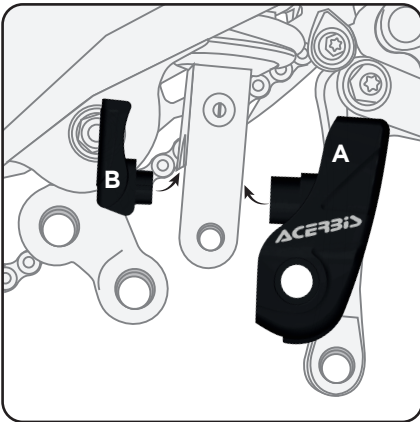
2 - Remove the screw (G) and the bolt (H) after having unscrewed the damper's nut (F).

2 - Rimuovere la vite (G) ed il perno (H) dopo aver svitato il dado (F) del link ammortizzatore.



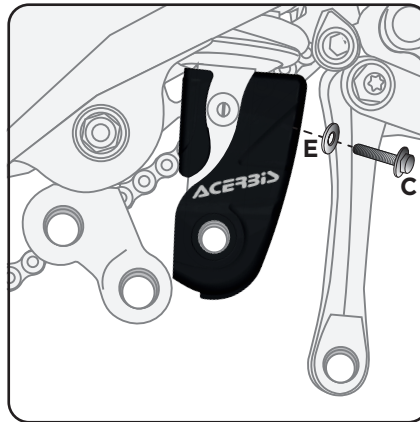
3 - Place the screw (D) inside the component (B).

3 - Posizionare il dado (D) all'interno del componente (B).



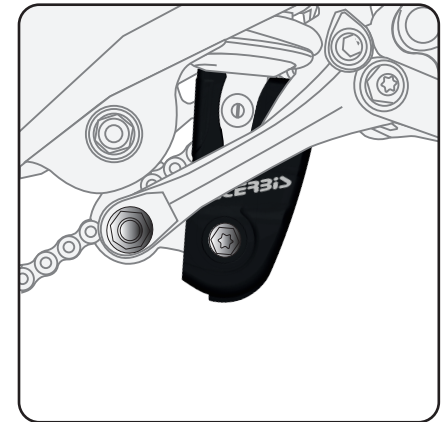
4 - Place the paralink components (A) and (B) inside the lower damper support.

4 - Posizionare i componenti (A) e (B) del paralink, all'interno del supporto inferiore dell'ammortizzatore.



5 - Tighten the screw (C) and the washer (E).

5 - Avvitare tramite la vite (C) e la rondella (E).



6 - Reassemble damper and rear rods. Tighten to the Manufacturer's recommended torque settings as indicated in the owner's manual.

6 - Riassemblare ammortizzatore e biellette posteriori. Coppia di chiusura come riportato su manuale moto.

WARNING!

Use at your own risk. Check the security of your device before you ride. Be sure that you follow the instructions installing the Acerbis products. Do not ride if there is missing or damaged hardware. If this is the case, take the item immediately back to your dealer. Make sure the throttle and other controls are free every time you ride. Lack of attention to instruction and warning could lead to interference with the controls, loss of control, and an accidents. Acerbis recommends that installation must be done by a licensed mechanic and that only Acerbis is original parts are used during fitting. Acerbis makes no guarantees or representations, express or implied, regarding the fitness of its products for any particular purpose. Acerbis makes no guarantees or representations, express or implied, regarding the extent to which its product protect individuals or property from injury or death or damage.

ACERBIS ITALIA S.P.A. VIA SERIO, 37 - 24021 ALBINO (BG) - ITALY

Phone +39 035773577 - Fax +39 035773570 - INFOMOTO@ACERBIS.IT - WWW.ACERBIS.COM

ACERBIS U.S.A. Inc.

MAIL P.O. BOX 2030 SUN VALLEY, ID 83353 SHIP 110 LINDSAY CIRCLE KETCHUM, ID 83340

Phone (800) 659-1440 - Fax (208) 726-7039 - INFOUSA@ACERBIS.COM

ACERBIS U.K. Ltd

UNIT 2 LUTON ENTERPRISE PARK SUNDON PARK ROAD LUTON, BEDFORDSHIRE LU3 3GU GREAT BRITAIN

Phone +44 1582491076 - Fax +44 1582499639 - UKINFO@ACERBIS.IT