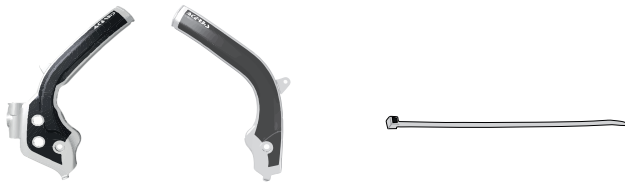


X-GRIP FRAME GUARD PARATELAIO X-GRIP



COD. 500005239 REV. 4

ACERBIS PARTS

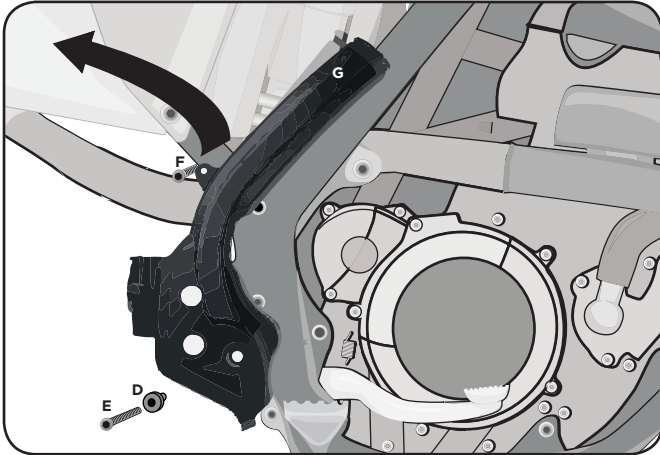


A - (1 pcs.) **B** - (1 pcs.) **C** - (3 pcs.)

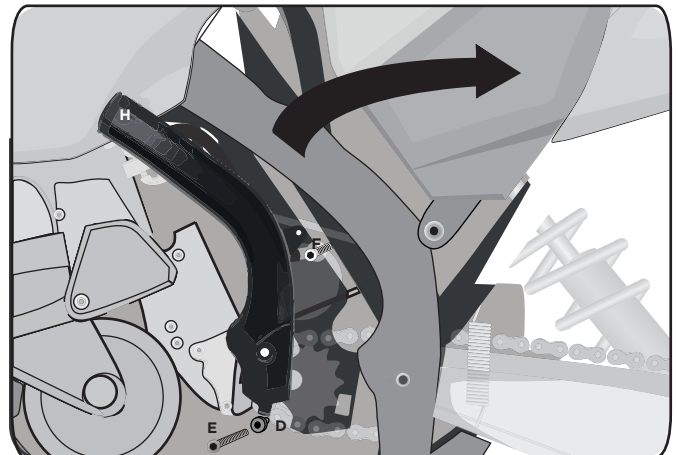
O.E.M PARTS:



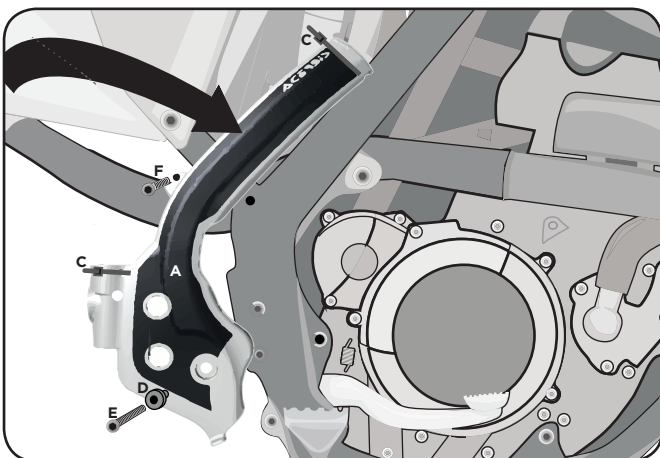
D - (2 pcs.) **E** - (2 pcs.) **F** - (2 pcs.) **G** - (1 pcs.) **H** - (1 pcs.)



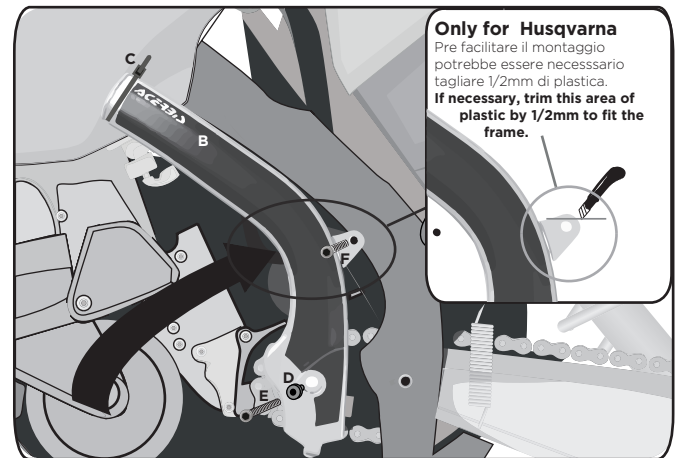
- 1.** Rimuovere le parti originali KTM: il paratelaio, le viti (E) ed (F) e la bussola (D) ma non l'inserto in gomma all'interno del telaio
Remove the original right hand side frame guard the screws (E) e (F) the bush (D) but do not remove the insert from the frame.



- 2.** Rimuovere le parti originali KTM: il paratelaio, le viti (E) ed (F) e la bussola (D) ma non l'inserto in gomma all'interno del telaio.
Remove the original left hand side frame guard the screws (E) e (F) the bush (D) but do not remove the insert from the frame.



- 3.** Montare il paratelaio X-GRIP Acerbis lato destro (A) usando le viti (F) ed (E), con la bussola (D). Fissare poi il paratelaio con le fascette (C) inclusi nel kit.
Mount the ACERBIS right hand side x-grip frame guard (A) using the OEM screws (E) and (F) as well as the OEM bush (D). Once the frame guard is in place tighten the zip ties (C) in the grooves provided.



- 4.** Montare il paratelaio X-GRIP Acerbis lato sinistro (B) usando le viti (F) ed (E), con la bussola (D). Fissare poi il paratelaio con la fascetta (C) inclusa nel kit.
Mount the ACERBIS left hand side x-grip frame guard (B) using the OEM screws (E) and (F) as well as the OEM bush (D). Once the frame guard is in place tighten the zip ties (C) in the grooves provided.

Only for Husqvarna
 Pre facilitare il montaggio potrebbe essere necessario tagliare 1/2mm di plastica.
If necessary, trim this area of plastic by 1/2mm to fit the frame.

WARNING!

Use at your own risk. Check the security of your device before you ride. Be sure that you follow the instructions installing the Acerbis products. Do not ride if there is missing or damaged hardware. If this is the case, take the item immediately back to your dealer. Make sure the throttle and other controls are free every time you ride. Lack of attention to instruction and warning could lead to interference with the controls, loss of control, and accidents. Acerbis recommends that installation must be done by a licensed mechanic and that only Acerbis is original parts are used during fitting. Acerbis makes no guarantees or representations, express or implied, regarding the fitness of its products for any particular purpose. Acerbis makes no guarantees or representations, express or implied, regarding the extent to which its product protect individuals or property from injury or death or damage.