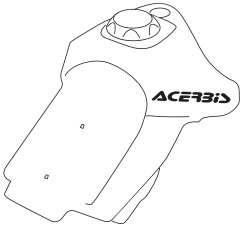

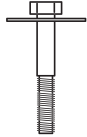

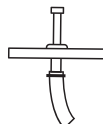




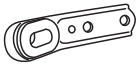
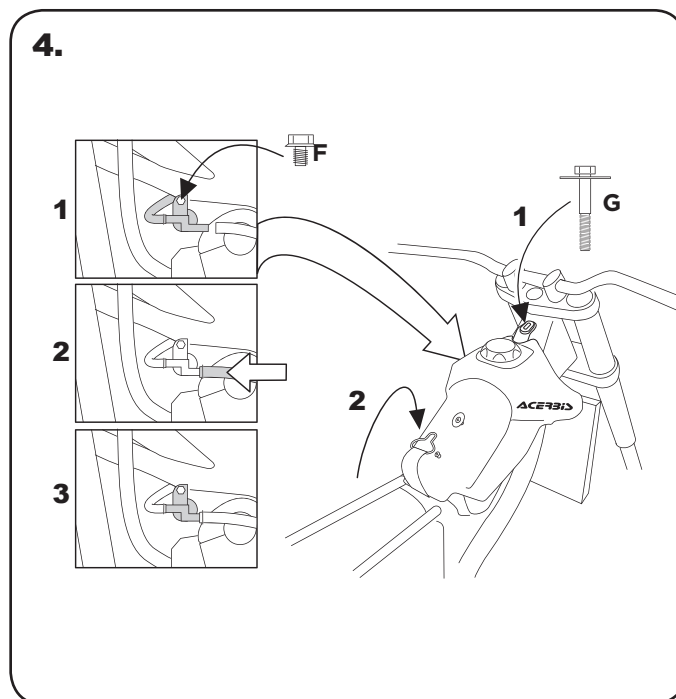
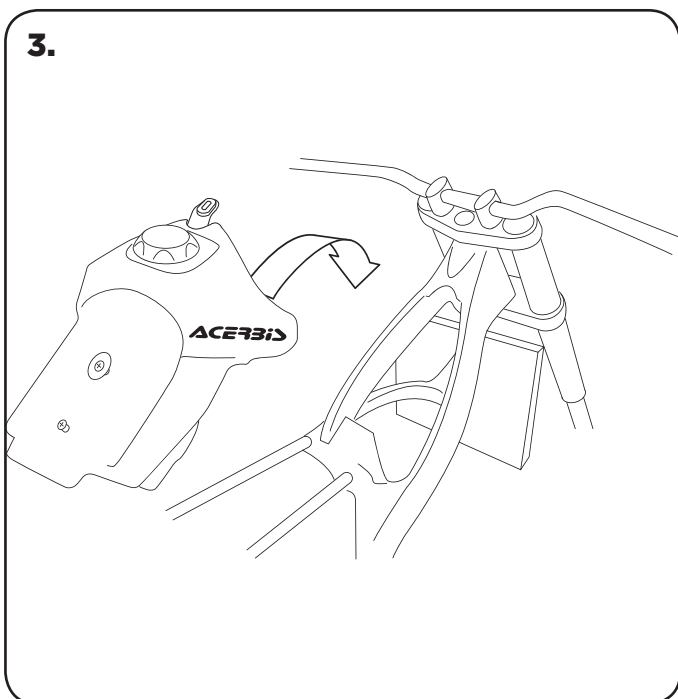
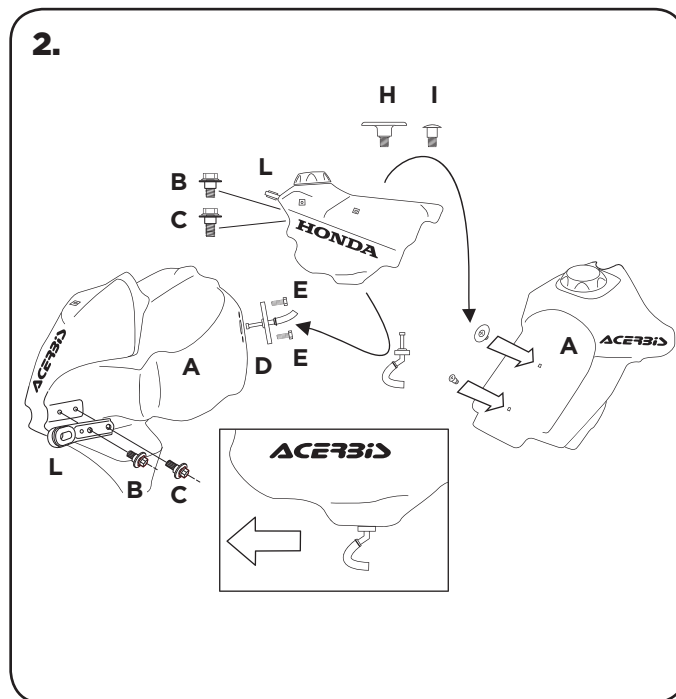
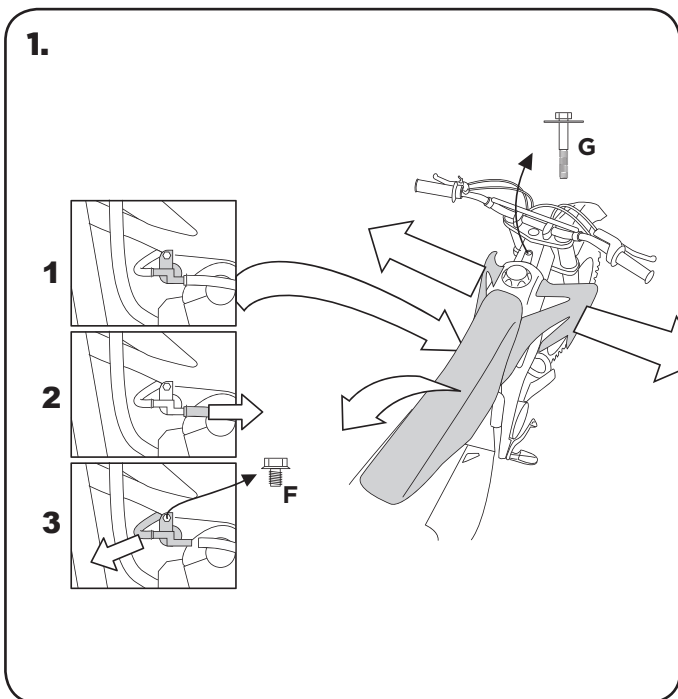


COD. 500000515 REV1

ACERBIS PARTS	O.E.M ITEMS TO USE:				
 A - (1 pcs.)	 B - (1 pcs.)	 G - (1 pcs.)	 C - (1 pcs.)	 D - (1 pcs.)	 E - (2 pcs.)
	 F - (1 pcs.)		 H - (1 pcs.)	 I - (1 pcs.)	 L - (1 pcs.)



ACERBIS®

Thank you for purchasing an ACERBIS fuel tank

WARNING

It is **EXTREMELY IMPORTANT** that the fuel tank be properly installed. To ensure proper installation, it is **STRONGLY RECOMMENDED** that the tank be installed only by a qualified OEM licensed dealership mechanic. Improper installation could result in serious injury or even death.

If self-installed NOTE THE FOLLOWING. Particular attention must be paid to excessive fuel line length and fuel line proximity to hot engine areas and pipes to prevent fire.

Clean tank interior thoroughly before installation. Install this fuel tank only in a well ventilated area, as gasoline fumes are extremely dangerous. Do not start or operate the vehicle if there are any fuel leaks! Read all instruction first before beginning installation.

DISCLAIMER

Due to uncontrolled variables in the manufacturing process of rotationally molded fuel tanks, the fuel tank may vary in size and shape by up to 7% of the manufacturer's original listed capacity.